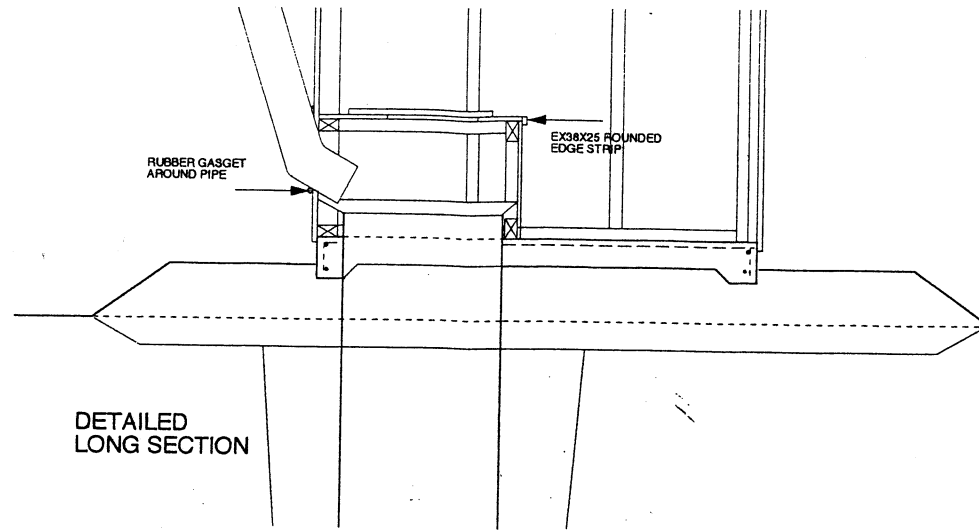
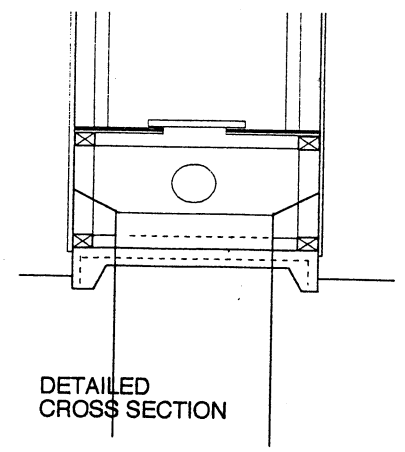


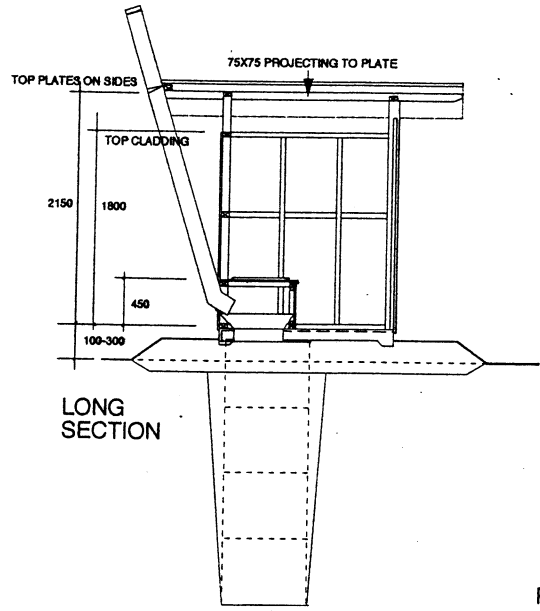
PLAN



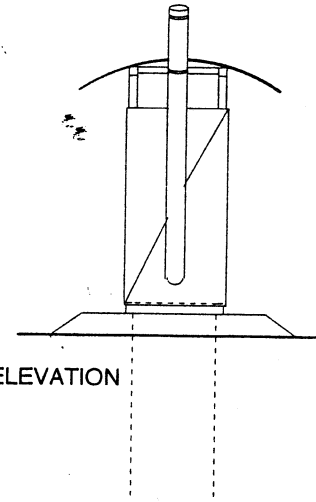
DETAILED LONG SECTION



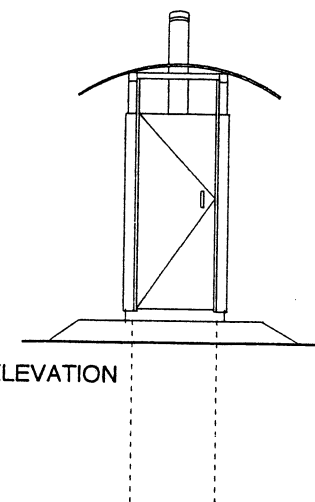
DETAILED CROSS SECTION



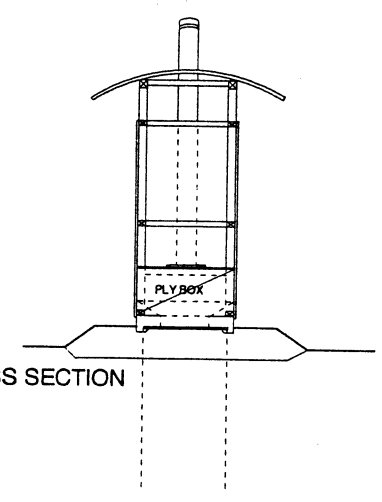
LONG SECTION



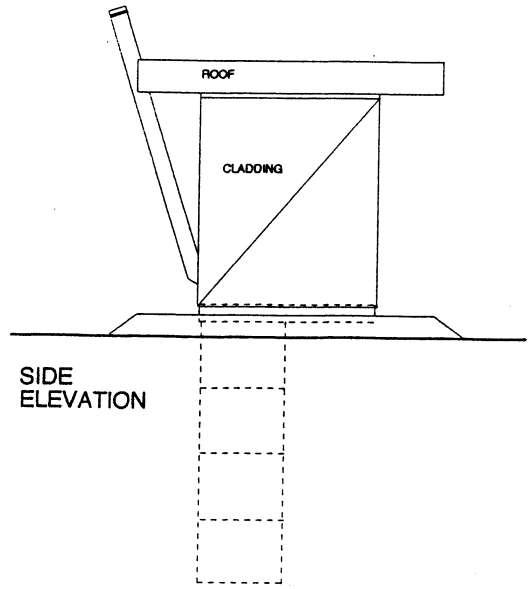
REAR ELEVATION



FRONT ELEVATION




CROSS SECTION



SIDE ELEVATION

NOTES.
 REMOVE TOP SOIL OVER 2000X3000 AREA TO DEPTH OF 100-200. FILL AREA TO 100-250 ABOVE NATURAL GROUND LEVEL, DEPENDING UPON GROUND CONDITIONS.
 EXCAVATE FOR 4 X 750 DIA GAL STEEL CULVERT SECTIONS (FLANGED NESTABLE PIPES EACH 610 LONG, AVAILABLE FROM MARIKAM CULVERTS, LAE) IN AREAS OF HIGH WATER TABLE 2 SECTIONS WILL SURFACE.
 BACK FILL AND COMPACT. EXCAVATE FOR EDGE BEAMS.
 PROVIDE FORMWORK OVER TOP OF PIPES AND BLOCK OUT A 450 DIA HOLE FOR OPENING.
 FORM AND POUR 15MPA CONC SLAB WITH F72 MESH, TURNED DOWN INTO EDGE BEAMS WITH Y12 BARS. HD BOLTS 250 LONG BENT INTO SLAB. TOTAL 6 HD BOLTS, 2 PER SIDE.
 WALLS TO BE TIMBER FRAMED 75X50. CLADDING TO 4 SIDES TO 1800. 75X75 TOP PLATES 2150 HIGH ON 2 SIDES PROJECT TO SUPPORT ROOF.
 CLADDING HORIZONTAL CCA WEATHERBOARD OR APPROVED LOCAL MATERIAL TREATED WITH 50/50 DIESEL & SUMP OIL.
 ROOF CURVED STEEL 2000 RADIUS.
 DOOR 1800X700 LEDGED & BRACED, WITH 150 D HANDLE TO INSIDE AND OUT, WITH BARREL BOLT TO INSIDE & 1 PAIR 150 T HINGES.
 150 DIA PVC VENT PIPE WITH 45 DEG BEND. INSECT SCREEN TIED OVER TOP. VENT STRAPPED TO ROOF. PAINT VENT BLACK.
 FORM 15TH PLY TOP AND FASCIA TO FRAMED UP TOILET BOX. FIX PLASTIC TOILET SEAT. PROVIDE TPH.
 FILL INSIDE BOX WITH WEAK CONCRETE TO FALL INTO OPENING. PLASTER SLOPING SURFACES TO FALL TO WASTE.

Drawing VENTILATED PIT LATRINE	 DESIGN AND DOCUMENTATION BY DAVID GOLE OF TROPICAL PROJECTS LTD PO BOX 5587 BOROBO MCD PAPUA NEW GUINEA 32 32145 FAX 32 32814	Scale: 1:50 & 1:20 Date: 30/10/00
Project HEALTH SERVICES SUPPORT PROGRAM NATIONAL DEPARTMENT OF HEALTH		Job No: HSSP-C01 Drawing No: 00/D300/17