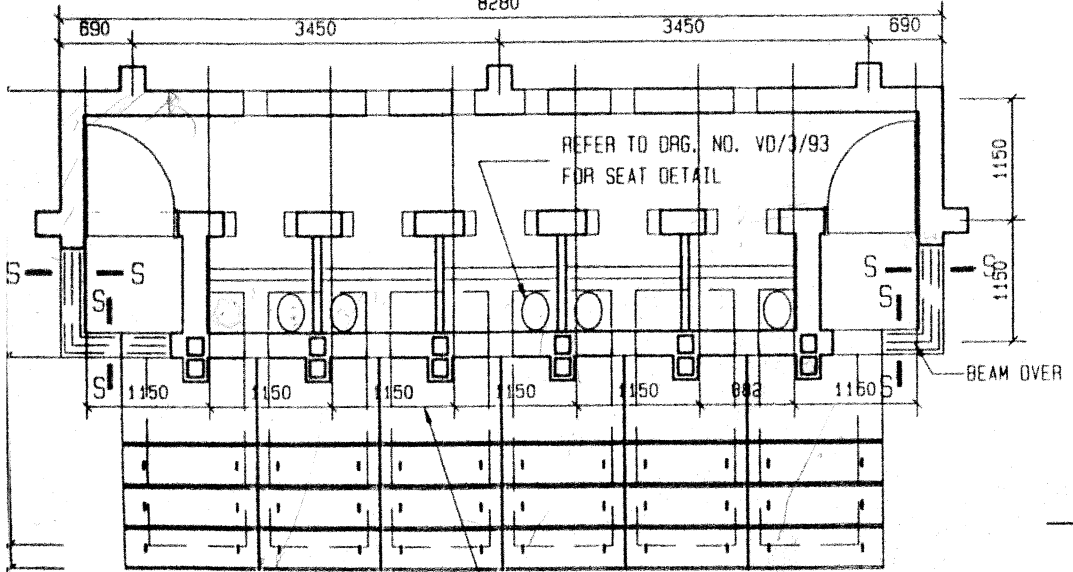
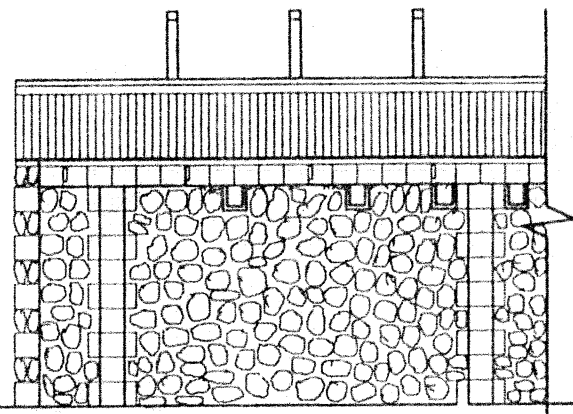


FOUNDATION PLAN SCALE, 1:50  
8280



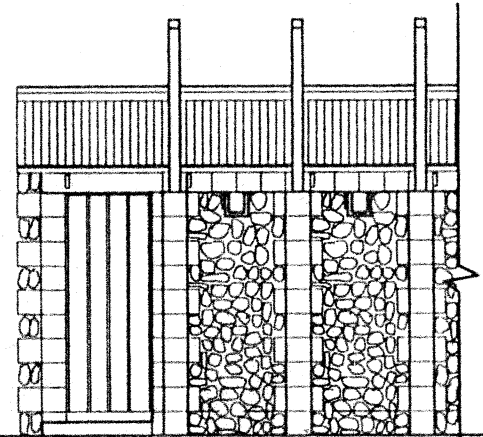
GROUND FLOOR PLAN. SCALE, 1:50  
5 SEATER DOUBLE VIP LATRINE

**NB. REVISION -**  
Revised to show a double pitched roof on the latrine  
Date: Nov. 2001



FRONT ELEVATION (PART) SCALE 1:50

3Y12 (Total length = 2400 min)  
R8 AT 250MM CTS.  
2 Y12  
20mm diam. THROATING  
SECTION S - S  
(Through cantilevered beam) SCALE 1:10



REAR ELEVATION (PART) SCALE 1:50

**NOTES**

- WALL INFILL TO CONCRETE BLOCK COLUMNS TO BE AS PER CLASSROOMS.
- REFER TO DRAWING NOS. VD/1 TO 4/93 FOR CONSTRUCTION DETAILS.
- DOORS TO BE CHAWL TYPE ALL SUPPLIED WITH G.M.K. PADLOCK FRAME 230MM WALLS. SIZE 813\*2032.
- THE BASE VENT COLUMNS TO BE PRIMED WITH BITUMASTIC.

**GOVERNMENT OF LESOTHO**  
**MINISTRY OF EDUCATION**

**E . F . U .**  
ARCHITECTS  
P . O BOX 1279, MASERU  
LESOTHO. TEL. 317130

**Project Title**  
PRIMARY SCHOOL  
FACILITIES

**Drawing Title**  
5 SEATER VIOP

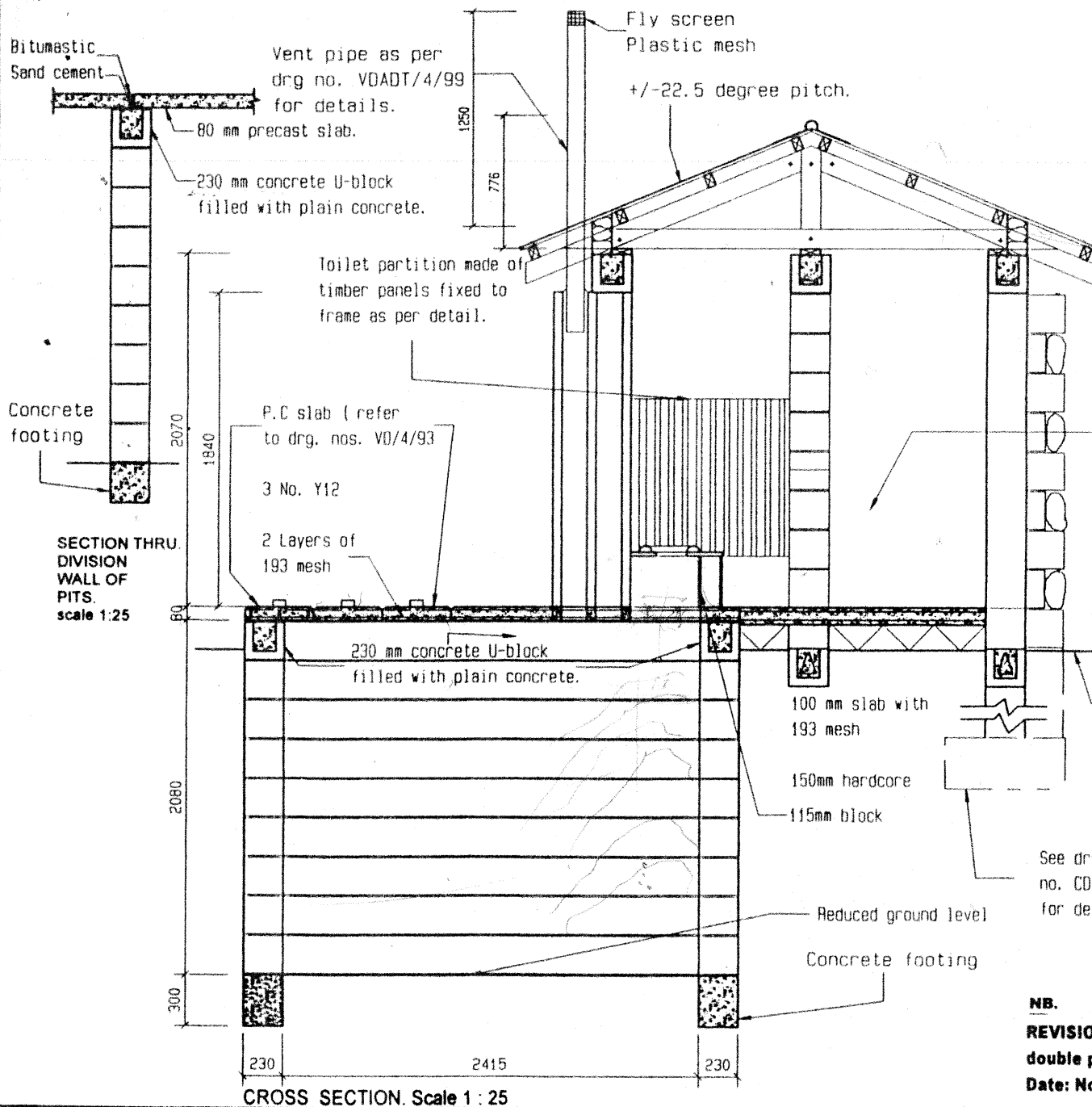
**Scale**  
1:50 & 1:10

**Date**  
AUGUST, 1999

**Drawn**  
M. K. MOKETE

**Checked**

**Drawing no.**  
VP / 2 / 99



CROSS SECTION. Scale 1 : 25

- Corrugated G. I sheet.
- 50 x 76mm purlins at 750mm c/c.
- 114 x 38mm rafters at 1150 c/c.
- U-Block ring beam.
- U-Block ventilator.
- Random stone conc block.
- Screen wall.
- Brick block beam filling.
- Central corridor division made of 115mm blockwall ( Only for drg nos. VP/5/93, Vp/4/93, VP/6/93 )

**GOVERNMENT OF LESOTHO**  
**MINISTRY OF EDUCATION**

**E . F . U .**  
ARCHITECTS  
P . O BOX 1279, MASERU  
LESOTHO. TEL. 317130

**Project Title**  
PRIMARY SCHOOL  
FACILITIES

**Drawing Title**  
CROSS SECTIONS, SHOWING  
LATRINE & PIT.

**Scale**  
1 : 25

**Date**  
AUGUST, 199

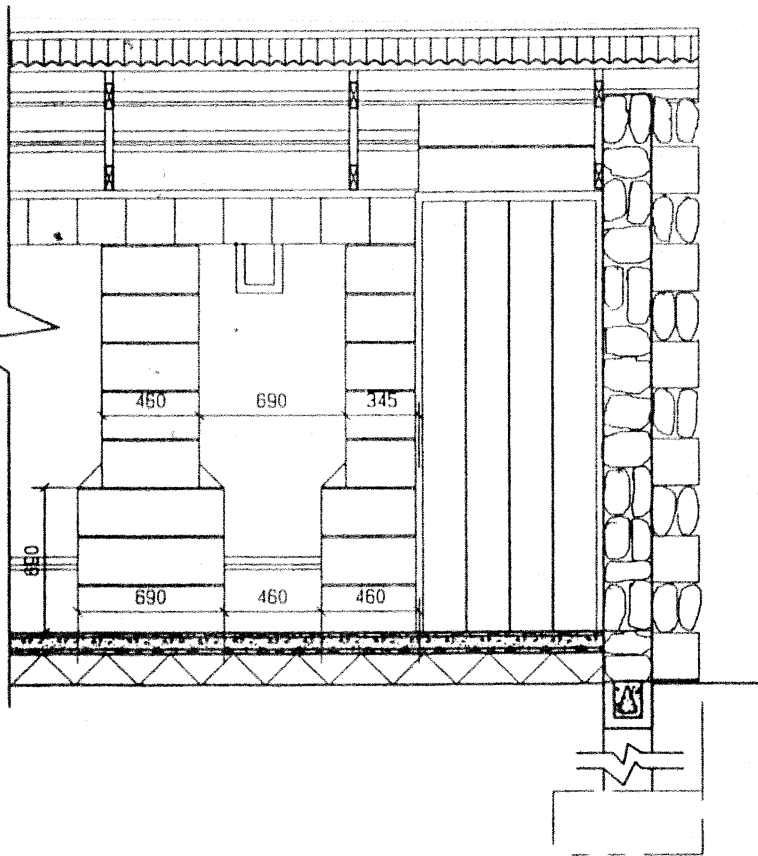
**Drawn**  
M. K. MOKETE

**Checked!**

**Drawing no.**  
VD / 1 / 99 A

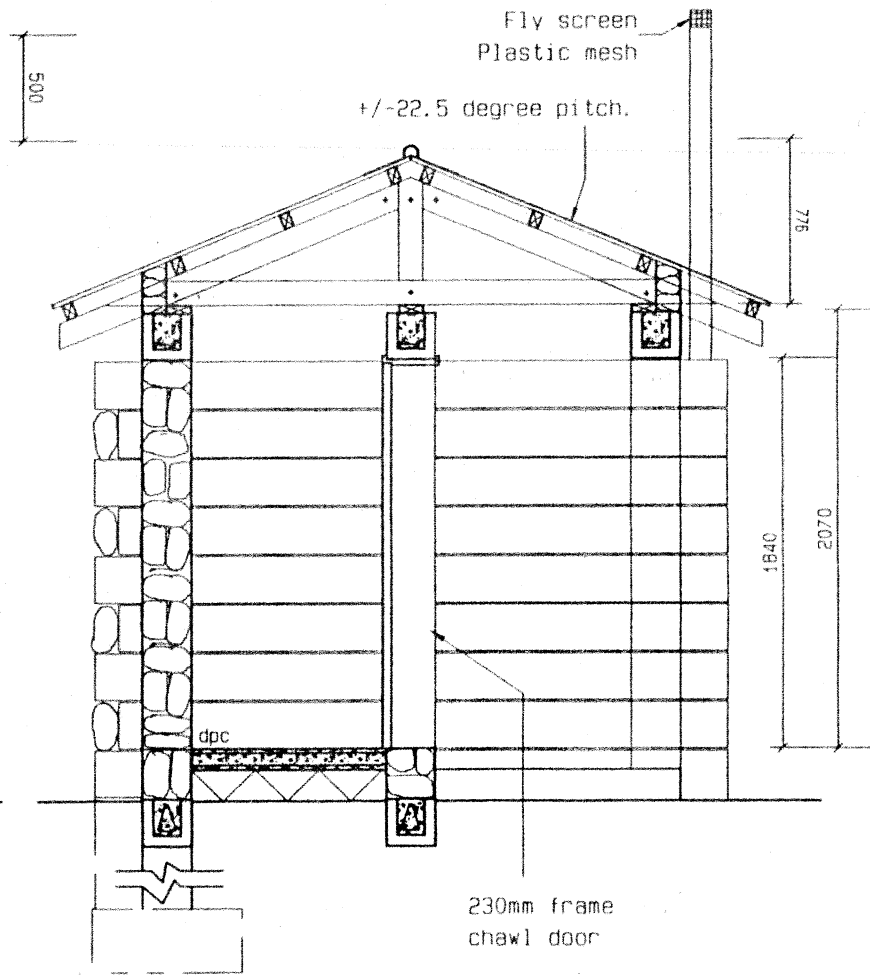
See drawing  
no. CD/4/93  
for details

**NB.**  
**REVISION - Revised to show a  
double pitched roof on the latrine**  
Date: November 2001



ELEVATION OF INTERNAL SCREEN WALL.

SCALE 1 : 25



SECTION THRU DOOR Scale 1:25

**NB.**  
**REVISION - Revised to show a double pitched roof on latrine**  
**Date: November 2001**

**GOVERNMENT OF LESOTHO**  
**MINISTRY OF EDUCATION**

**E . F . U .**

ARCHITECTS

P . O BOX 1279, MASERU  
 LESOTHO. TEL. 317130

**Project Title**

PRIMARY SCHOOL  
 FACILITIES

**Drawing Title**

SECTION THRU. DOOR  
 ELEV. OF INTERNAL SCREEN WALL

**Scale**

1 : 25

**Date**

AUGUST,

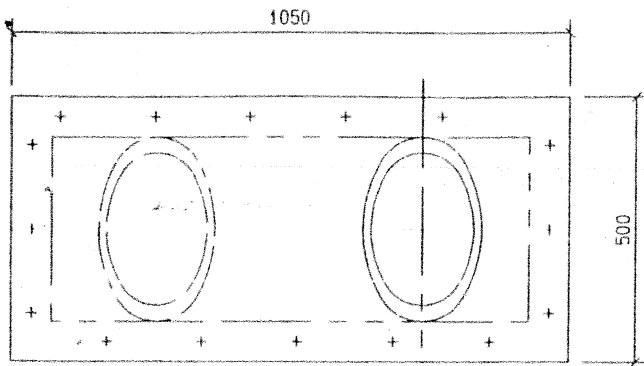
**Drawn**

M. K. MOKETE

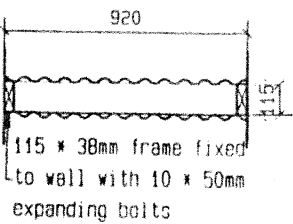
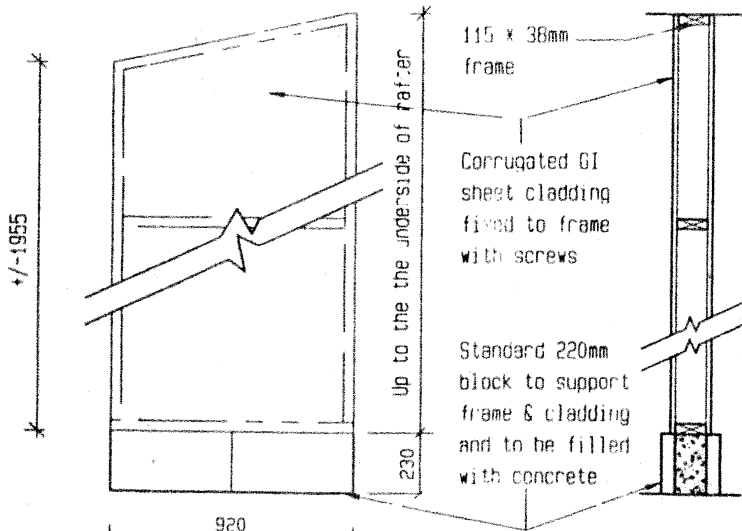
**Checked**

**Drawing no.**

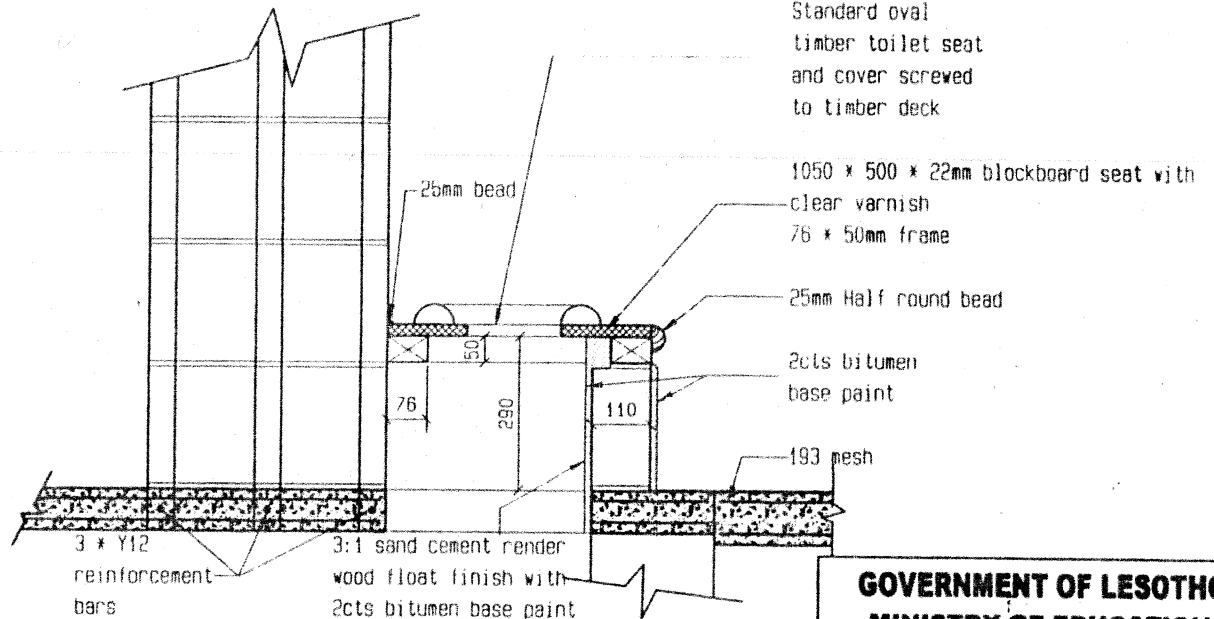
VD / 2 / 99



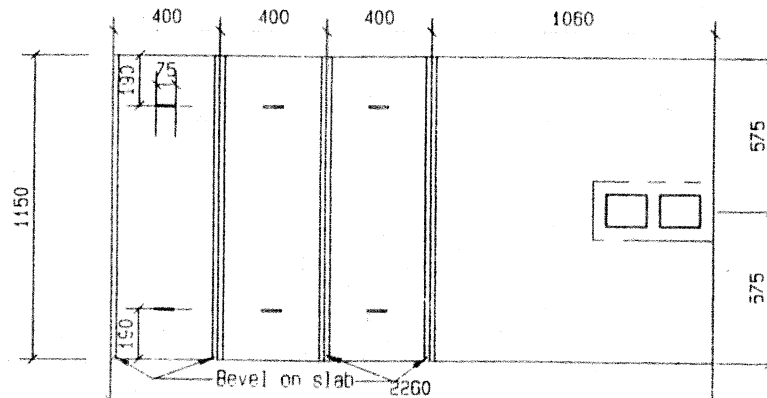
**PLAN OF TYPICAL SEAT** Scale 1 : 10  
 Fixed to frame with  
 75mm GI screws



**PARTITION BETWEEN MALE & FEMALE**  
 Scale 1 : 20 applies to drg. nos. VP/4/93, VP/5/93, VP/6/93

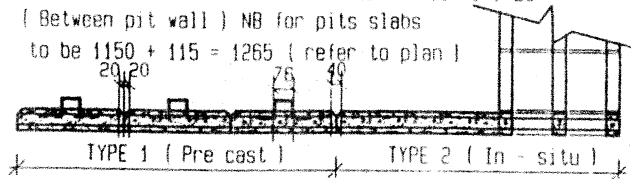


**SECTION THRU. SEAT** Scale 1 : 10



**PLAN OF COVERING SLAB** Scale 1 : 20

( Between pit wall ) NB for pits slabs  
 to be  $1150 + 115 = 1265$  ( refer to plan )



**SECTION THRU. SLAB**

Standard oval  
 timber toilet seat  
 and cover screwed  
 to timber deck

1050 x 500 x 22mm blockboard seat with  
 clear varnish  
 76 x 50mm frame

25mm Half round bead

2cts bitumen  
 base paint

193 mesh

**GOVERNMENT OF LESOTHO**  
**MINISTRY OF EDUCATION**

**E . F . U .**

ARCHITECTS  
 P . O BOX 1279, MASERU  
 LESOTHO. TEL. 317130

**Project Title**

PRIMARY SCHOOL  
 FACILITIES

**Drawing Title**

DETAILS, PLAN & SECTIONS

**Scale**

1 : 10 & 1 : 20

**Date**

JULY, 1999

**Drawn**

M. K. MOKETE

**Checked**

**Drawing no.**

VD / 3a / 99



PLAN OF VENT PIPE. Scale 1 : 10

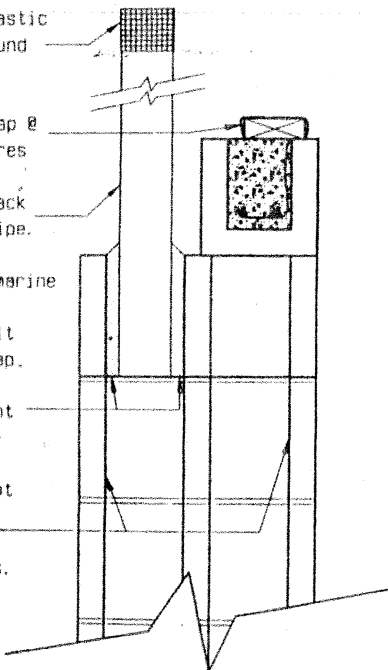
Top covered with fly screen plastic mesh GRP & bound with GI wire.

Hoop iron strap @ rafter's centres

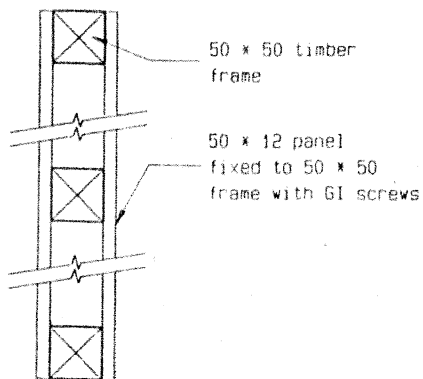
100mm dia. black pitch fibre pipe.

Profiled 6mm marine ply masonite. Secure VP built into wall & gap filled with 3:1 sand cement mortar.

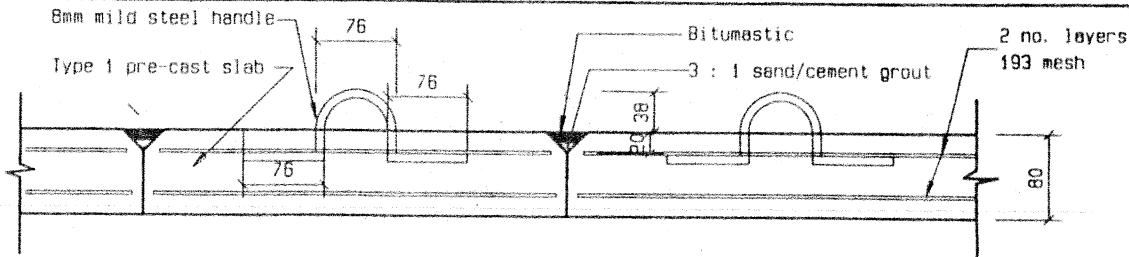
Walls of cement VP to be kept smooth & free from droppings.



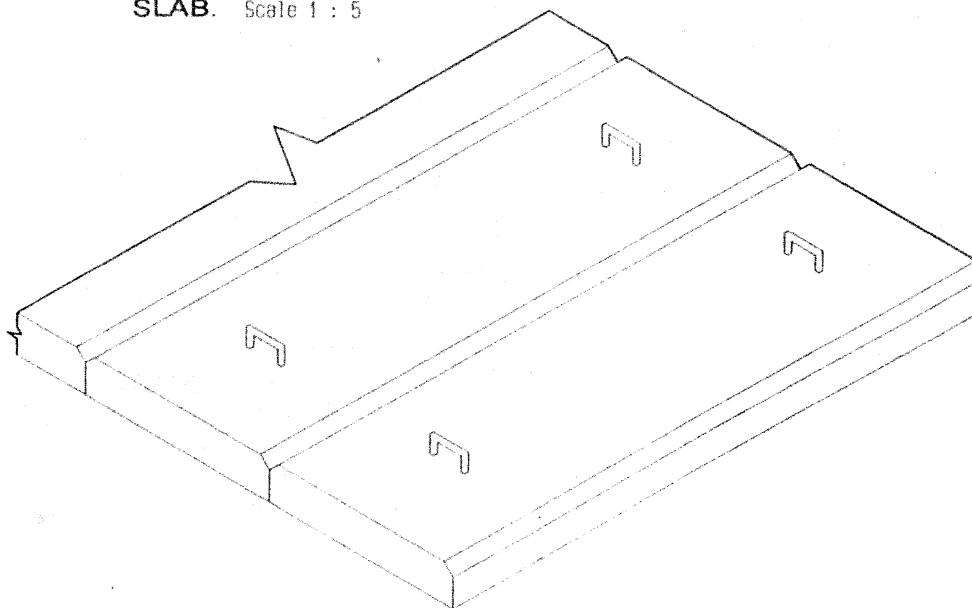
SECTION THRU. VENT PIPE. Scale 1 : 10



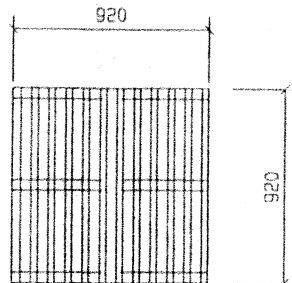
SECTION 2 - 2 Scale. 1 : 5



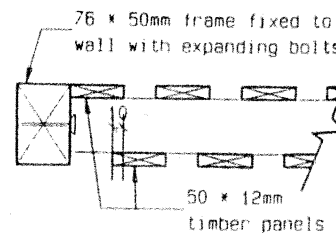
SECTION THRU. PRE-CAST CONCRETE SLAB. Scale 1 : 5



ISOMETRIC VIEW OF PRE - CAST SLAB. Scale 1 : 10



ELEVATION Scale 1 : 25  
PARTITION BETWEEN SEATS



SECTION 1. Scale 1 : 5

**GOVERNMENT OF LESOTHO**  
**MINISTRY OF EDUCATION**

**E . F . U .**

ARCHITECTS

P . O BOX 1279, MASERU  
LESOTHO. TEL. 317130

**Project Title**

PRIMARY SCHOOL FACILITIES, CHILDREN'S  
VDIP LATRINES

**Drawing Title**

ELEVATION DETAIL, SECTIONS  
& ISOMETRIC VIEW

**Scale**

1 : 5, 1 : 10, 1 : 25

**Date**

JULY 1999

**Drawn**

M. K. MOKETE

**Checked**

**Drawing no.**

VD / 4 / 99

