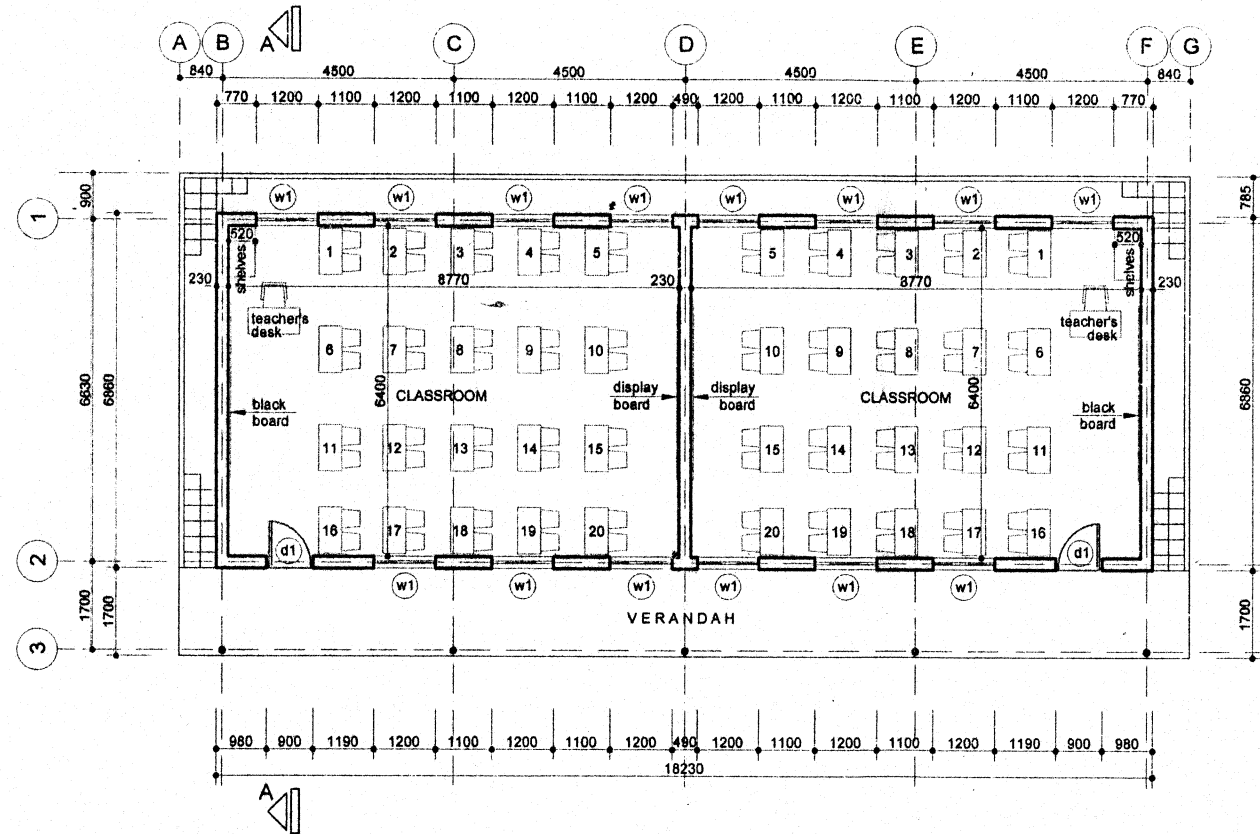


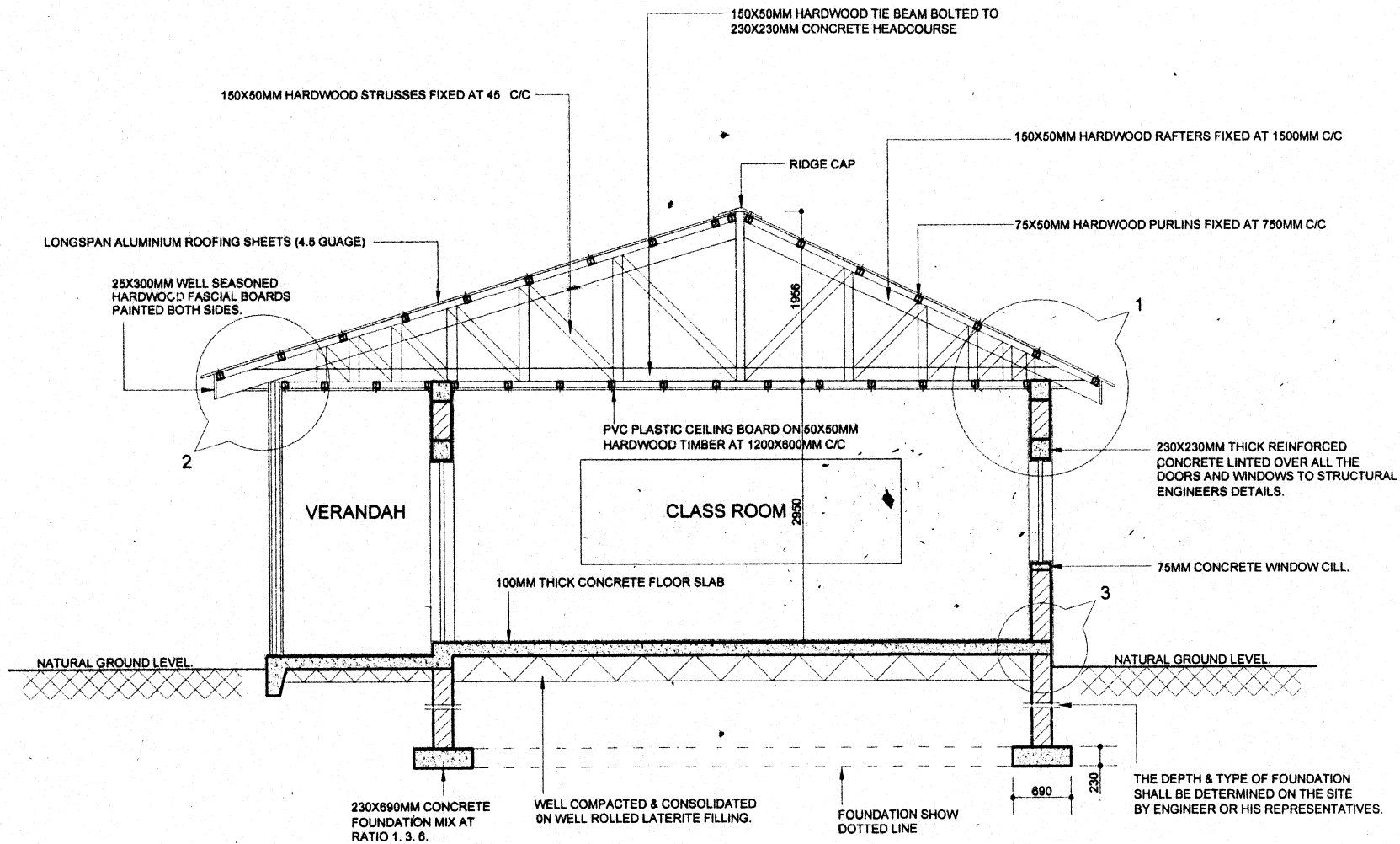
SSP KWANA STATE



FLOOR PLAN
2 x 40 No. STUDENTS

COT N 3, 232, 542 - 2 C/M/m
COT N 3, 642, 090 - 3 C/M/m

NOTES			
REV	DATE	AMENDMENT	CHKD.
STATUS OF DRAWING			
consultant JOA & PARTNERS Architects, Surveyor, Planners & Construction Management No 32, Gaa - Akanbi, Road Ilorin, Kwara State. Email: Joapartners@yahoo.com. GSM: 08035268397, 08035290493, 08058742202			
JOB			
JOB NO.	DWG NO.	REV	
FILE NAME			
DWG TITLE			
CLASSROOMS			
PROTOTYPE 1a			
FLOOR PLAN			
DATE	SCALE		
	1:100		



SECTION A-A

NOTES:-

REV	DATE	AMENDMENT	CHKD

STATUS OF DRAWING

consultant

JOA & PARTNERS
 Architects, Surveyor, Planners &
 Construction Management
 No 32, Gaa - Akanbi, Road Ilorin,
 Kwara State.
 Email:- Joapartners @ yahoo.com.
 GSM: 08035268397, 08035290493,
 08058742202

JOB

--	--	--

JOB NO.	DWG NO.	REV

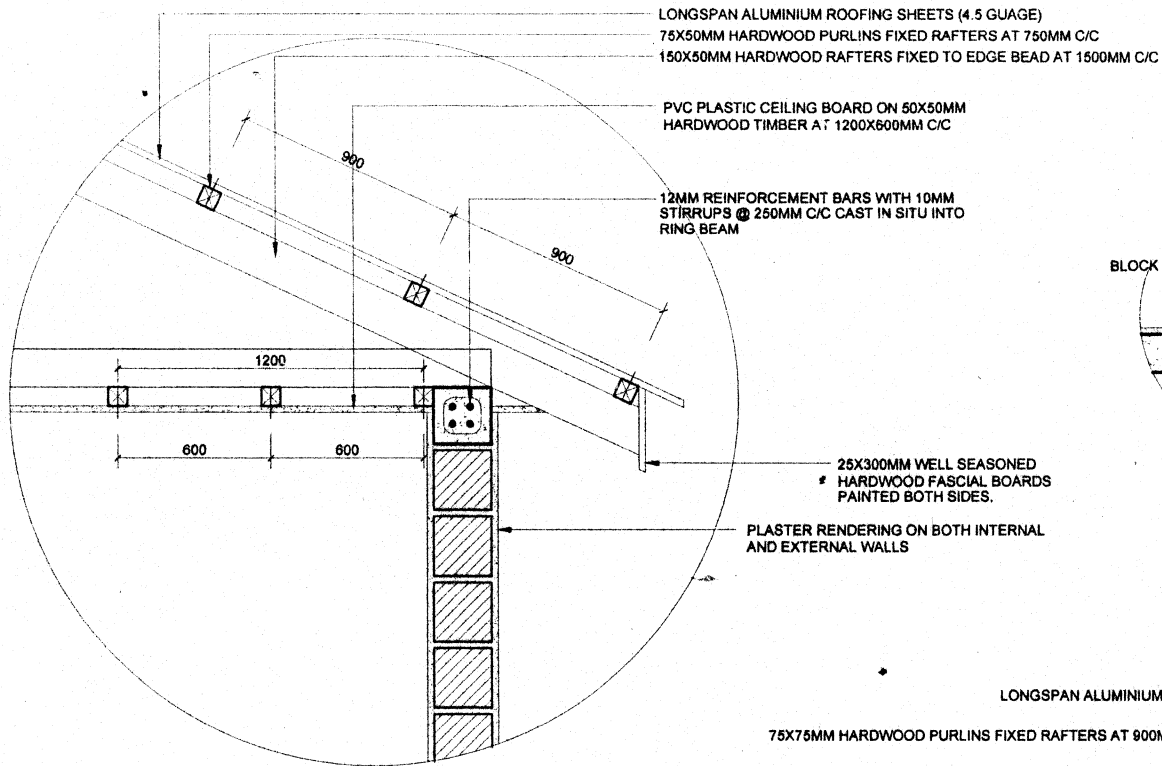
DWG. TITLE

CLASSROOMS

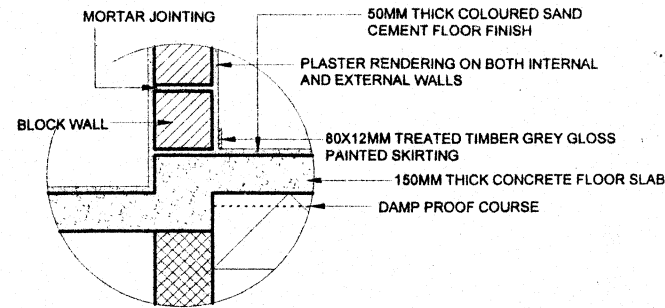
PROTOTYPE 1a

SECTION

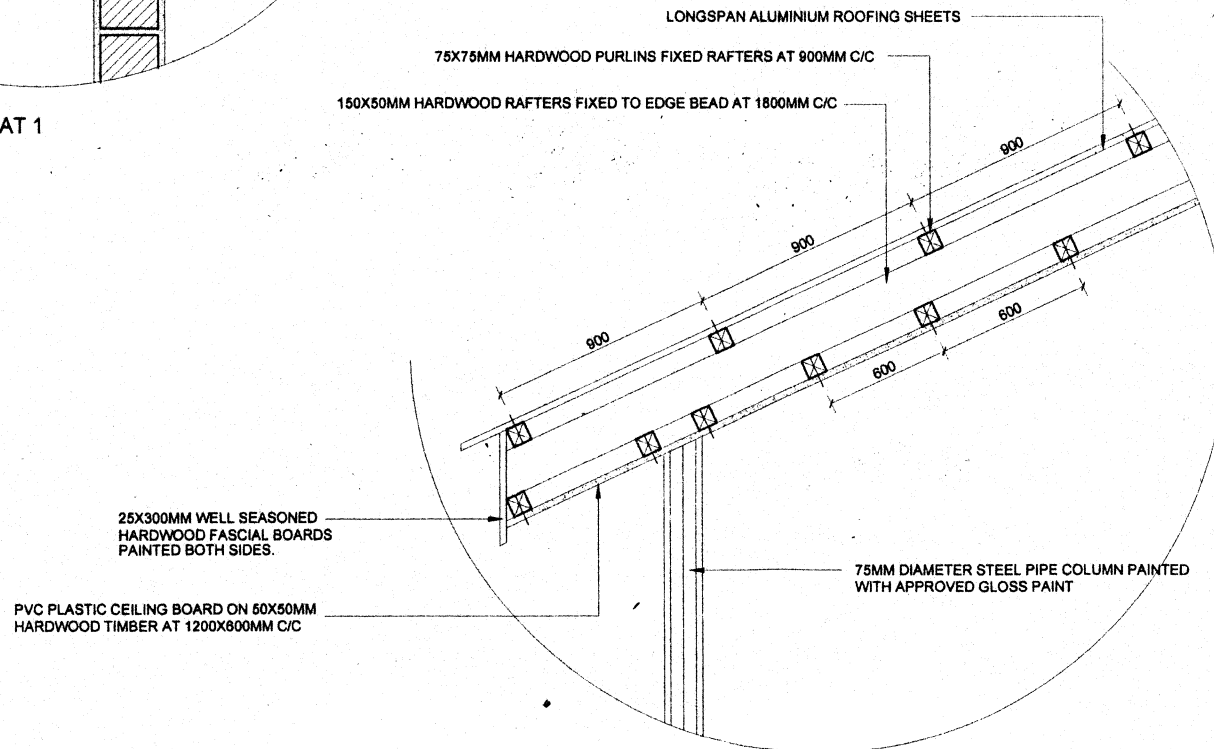
DATE	SCALE
	1:50



DETAIL AT 1



DETAIL AT 4



DETAIL AT 2

NOTES -

REV	DATE	AMENDMENT	CHKD.

STATUS OF DRAWING	

consultant

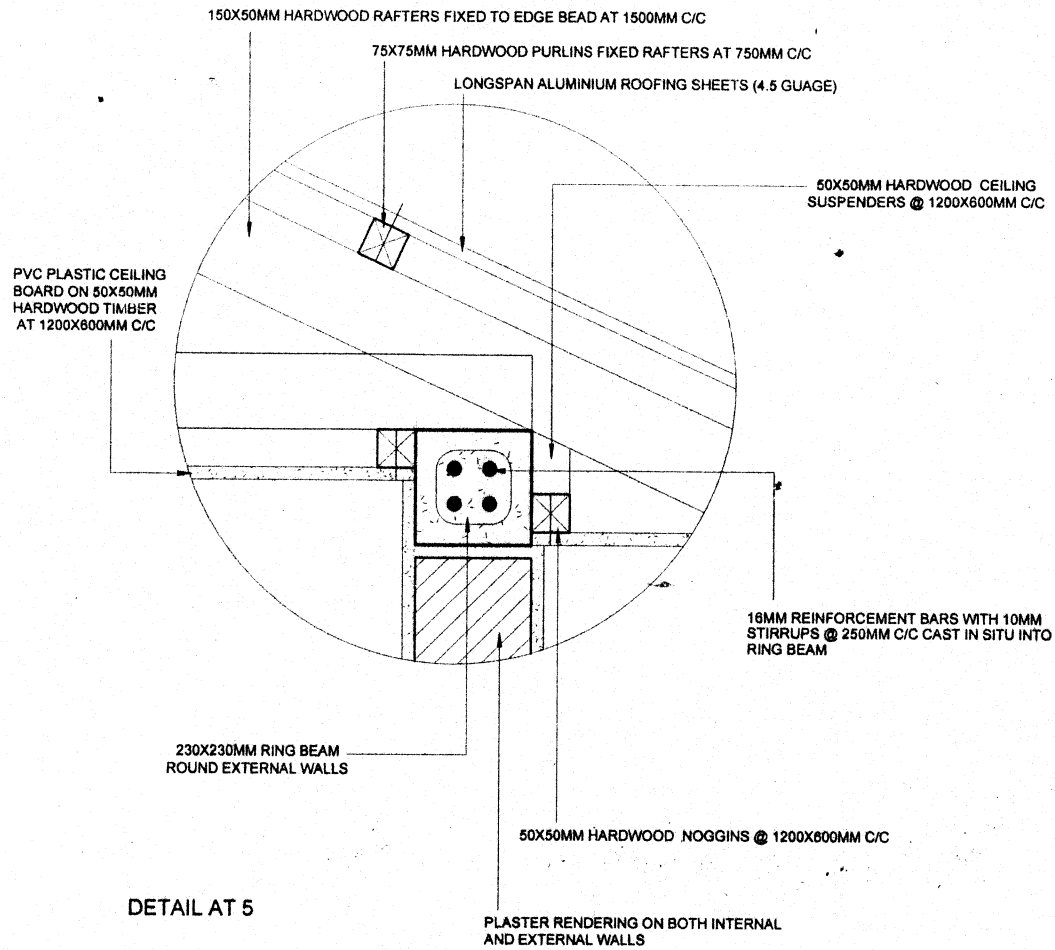
JOA & PARTNERS
 Architects, Surveyor, Planners &
 Construction Management
 No 32, Gaa - Akanbi, Road Ilorin.
 Kwara State.
 Email: Joapartners@yahoo.com.
 GSM: 08035268397, 08035290493,
 08058742202

JOB NO.	DWG NO.	REV

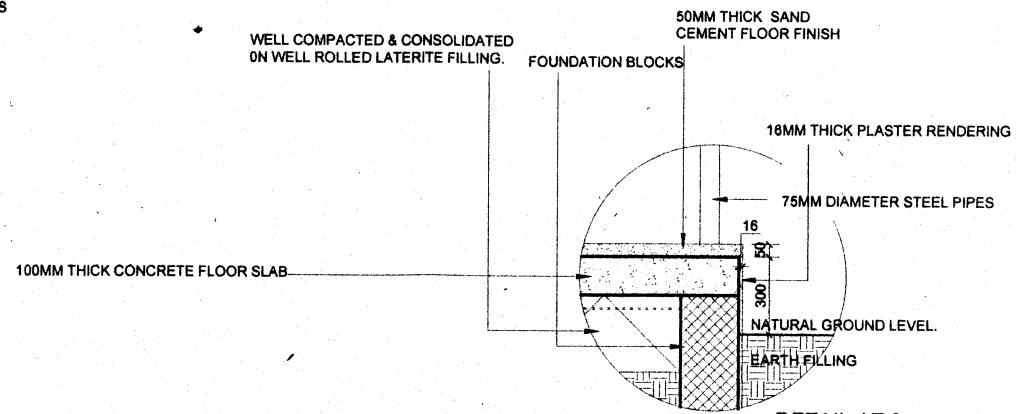
FILE NAME	

DWG TITLE
CLASSROOMS
 PROTOTYPE 1a
 DETAILS

DATE	SCALE
	1:20



DETAIL AT 5



DETAIL AT 3

NOTES:-

REV	DATE	AMENDMENT	CHKD.

STATUS OF DRAWING

consultant

JOA & PARTNERS
 Architects, Surveyor, Planners &
 Construction Management
 No 32, Gaa - Akanbi, Road Ilorin,
 Kwara State.
 Email:- Joapartners @ yahoo.com.
 GSM: 08035268397, 08035290493,
 08058742202

JOB

JOB NO.	DWG NO.	REV

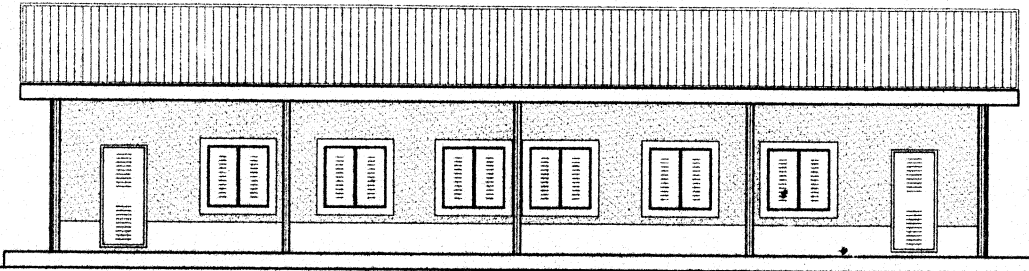
FILE NAME

DWG. TITLE
CLASSROOMS

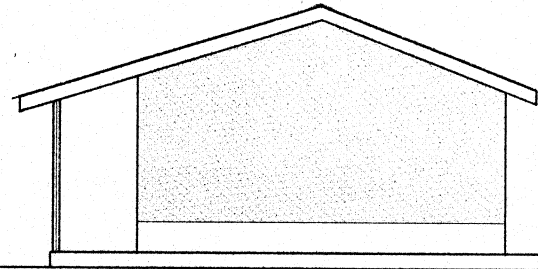
PROTOTYPE 1a

DETAILS

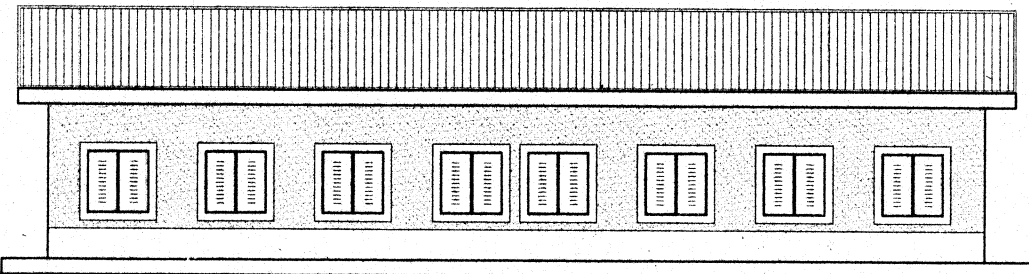
DATE	SCALE
	1:20, 1:10



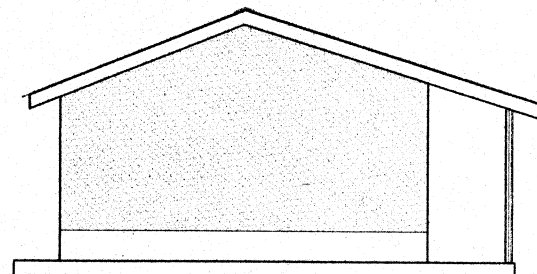
FRONT ELEVATION



RIGHT SIDE ELEVATION



BACK ELEVATION



LEFT SIDE ELEVATION

NOTES -

REV	DATE	AMENDMENT	CHKD.

STATUS OF DRAWING

consultant

JOA & PARTNERS
 Architects, Surveyor, Planners &
 Construction Management
 No 32, Gaa - Akanbi, Road Ilorin,
 Kwara State.
 Email:- Joapartners @ yahoo.com.
 GSM: 08035268397, 08035290493,
 08058742202

JOB

JOB NO.	DWG NO.	REV

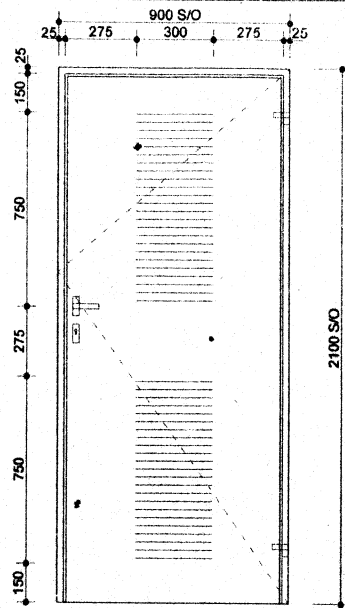
FILE NAME

DWG. TITLE
CLASSROOMS

PROTOTYPE 1a

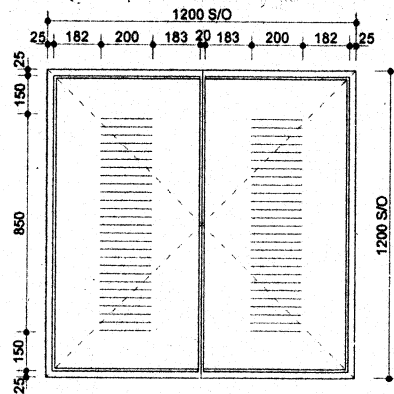
ELEVATIONS

DATE	SCALE
	1:100



D1

DOOR TYPE	Purposed made steel door with vent louvre
FRAME	Painted steel frame
QUANTITY PER SCHOOL	as per drawing
OPENING	Side hung
LOCATION	General



W1

DOOR TYPE	purposed made steel window with vent louvre
FRAME	Painted steel frame
QUANTITY PER SCHOOL	as per drawing
OPENING	Double leaf purposed made
LOCATION	General

NOTES:-

REV	DATE	AMENDMENT	CHKD

STATUS OF DRAWING	

consultant
JOA & PARTNERS
 Architects, Surveyor, Planners &
 Construction Management
 No 32, Gaa - Akanbi, Road Ilorin,
 Kwara State.
 Email:- Joapartners @ yahoo.com.
 GSM: 08035268397, 08035290493,
 08058742202

JOB

JOB NO.	DWG NO.	REV
FILE NAME		

DWG TITLE
CLASSROOMS
PROTOTYPE 1a
 DOORS AND WINDOWS SCHEDULE

DATE	SCALE
	1:20